



ADDEX

HIGH-PERFORMANCE DUAL FLOW AIR RINGS

LFR Laminar Flow Ring
MGC Manual Gauge Control



ADDEX INC.

251 Murray Street
Newark, NY 14513, USA
Tel: (+1) 315.331.7700
Fax: (+1) 315.331.7734
Email: addex@addexinc.com
www.addexinc.com

NOW WITH
**Intensive
Cooling**
TECHNOLOGY

ADVANCING STATE-OF-THE-ART COOLING TECHNOLOGY


ADVANCING STATE-OF-THE-ART COOLING TECHNOLOGY

HIGH-PERFORMANCE DUAL FLOW AIR RINGS

LFR Laminar Flow Ring

MGC Manual Gauge Control

U.S. Patents 5,676,893 5,468,134 6,739,855

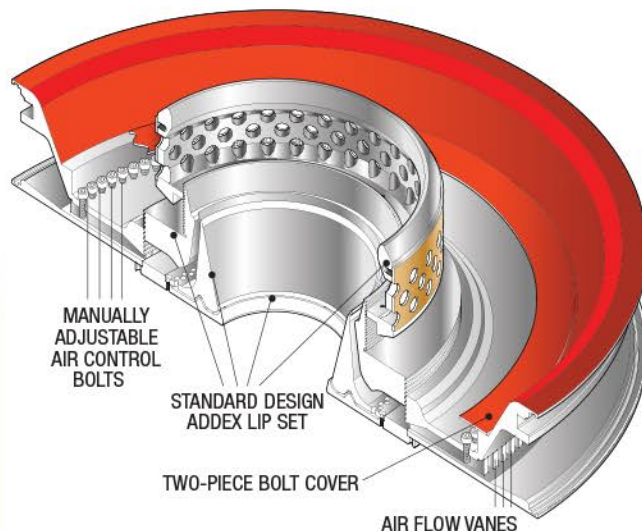
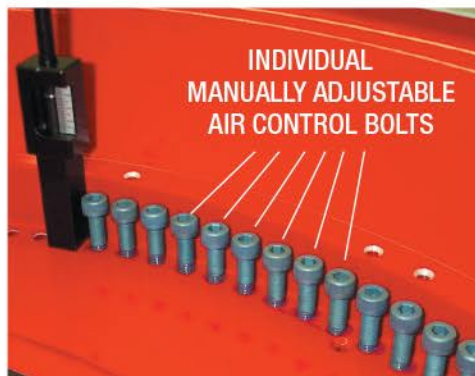
SPECS			
SIZE		Number of Air Inlets x \varnothing	Number of MGC Control Zones *
3"– 6" 75–150 mm	36" 915 mm	6 x 3"/76 mm	96
6"– 12" 150–315 mm	48" 1220 mm	6 x 4"/102 mm	120-132
12"– 20" 325–500 mm	56" 1423 mm	6 x 4"/102 mm	156-168
20"– 28" 525–700 mm	64" 1626 mm	8 x 4"/102 mm	216
28"– 32" 725–800 mm	76" 1931 mm	10 x 4"/102 mm	256-304

Larger sizes are available upon request
*Number of control zones vary with die size and application

AIR REQUIREMENTS	
US	METRIC
D" x 150 = CFM @ 80°F & 25"H ₂ O	D mm x 10 = m ³ /h @ 27°C & 6.2 kPa
LEGEND D" = Die diameter in inches CFM = Cubic feet per minute F = Degrees Fahrenheit H ₂ O = inches water pressure unit D mm = Die diameter in mm m ³ /h = Cubic meters per hour C = Degrees Celsius kPa = Kilopascal pressure unit	

OTHER ADDEX PRODUCTS

- **IC**
Intensive Cooling Systems
- **EGC**
External Gauge Control Air Rings
- **DIBC**
Digital Internal Bubble Cooling



LFR FEATURES

- Available with Intensive Cooling to boost output an additional 10-15% & improve stability
- Proven, state-of-the-art dual lip air ring
- Suitable with rotating, oscillating, or stationary dies
- Low turbulence, low pressure, high-volume air flow
- Adjustability allows air distribution between the lower lip & the secondary lip
- Differential pressure gauge & bimetallic thermometer
- Standard BUR air collar (Low BUR/Big BUR collars available)

MGC FEATURES

◀ Includes all features of LFR, plus:

- Simple, cost-effective gauge control
- Selective air flow settings to reduce gauge variation
- For stationary dies, capable of correcting gauge variation by 25%, or more
- For oscillating/rotating dies, capable of correcting gauge variation 15-20% or more
- Individually-adjustable control bolts
- 10mm-wide (3/8") control zones for highest resolution in the industry
- Does not reduce cooling capacity or output



251 Murray Street
Newark, NY 14513, USA
Tel: (+1) 315.331.7700
Fax: (+1) 315.331.7734
Email: addex@addexinc.com
www.addexinc.com

NOTE: Precision blower & die profile information required at time of order.